

Air-X Land / Air-X Marine

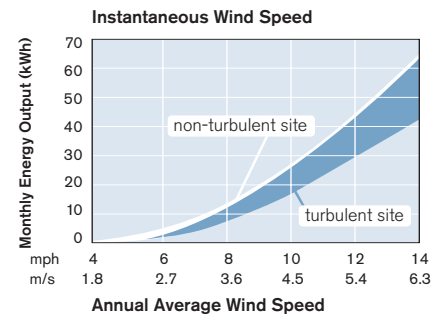
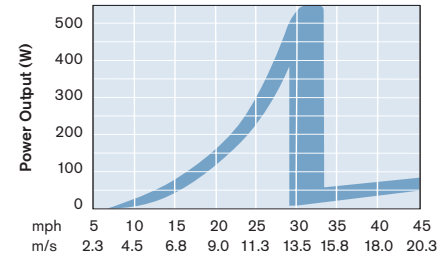
Technical Specifications

Rotor Diameter	46 inches (1.15 m)
Weight	13 lbs (5.85 kg)
Shipping Dimensions	27 x 15 x 9" (686 x 38 x 228 mm) 17 lbs. (7.7 kg)
Mount	1.5" schedule 40 pipe (1.9" OD, 48 mm)
Start-Up Wind Speed	8 mph (3.58 m/s)
Voltage	12, 24 and 48 VDC
Rated Power	400 watts at 28 mph (12.5 m/s)
Turbine Controller	Microprocessor-based smart internal regulator with peak power tracking
Body	Cast aluminum (AirX Marine is powder coated for corrosion protection)
Blades	(3) Carbon fiber composite
Overspeed Protection	Electronic torque control
Kilowatt Hours Per Month	38 kWh/mo @12 mph (5.4 m/s)
Survival Wind Speed	110 mph (49.2 m/s)
Warranty	3 Year Limited Warranty

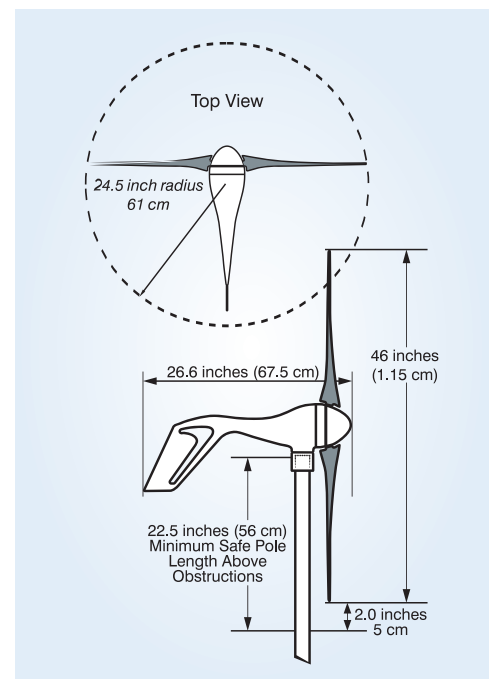


MADE IN THE USA

Performance Curves



Sphere of Operation



0083 REV C 11-06

Southwest Windpower • 1801 W. Route 66 • Flagstaff, AZ 86001 • Tel 928.779.9463 • Fax 928.779.1485 • E-Mail info@windenergy.com

www.windenergy.com