

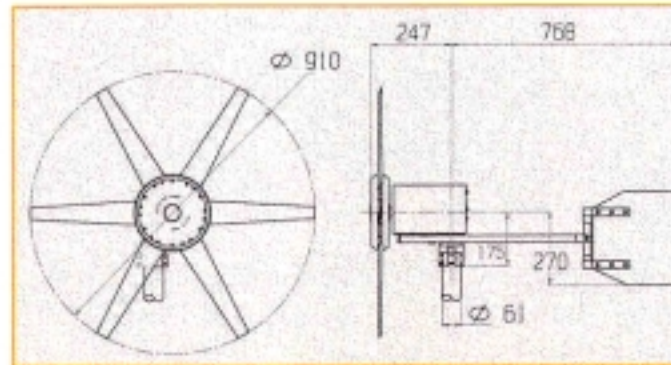
FM910-3 FURLMATIC

Windcharger

Packing Specifications: 2 Cartons.

- Width: 240 mm
- Height: 310 mm
- Length: 330 mm
- Gross weight: 12 kg

- Width: 310 mm
- Height: 100 mm
- Length: 960 mm
- Gross weight: 5.2 kg



Dimensions

- Off-grid homes
- Industrial/Professional users
- Developing countries
- Farmers

for:

- Telecommunications Equipment
- Radio Receivers and Repeaters
- Telemetry Equipment
- Navigation Lights
- Isolated Road Signs and Street Lighting
- Security Systems
- Electric Fencing
- Water Pumping
- Rural Electrification
- Lighting
- TV/Computers
- Vaccine refrigeration

FREE POWER FROM THE WIND



Marlec Engineering Co. Ltd.
Rutland House, Trevithick Road,
Corby, Northants, NN17 5XY.
Tel: (Int. +44) (0) 1536 201588
Fax: (Int. +44) (0) 1536 400211
email: sales@marlec.co.uk
http://dialspace.dial.pipex.com/marlec

Manufactured by
Marlec in the UK.
An ISO9001
Registered Firm.



CE

Rutland FM 910-3 Furlmatic

Rutland Windchargers are without doubt one of the most unique and versatile battery chargers in use throughout the world. In moderate and extreme weather conditions the Rutland Windcharger is equally efficient supplying free energy for many power requirements including lighting, radio, tv's, refrigerators etc.

The Rutland FM910-3 combines the established Furlmatic robust mechanical design with our latest 3 phase generator technology to deliver better performance and greater reliability than ever before.

It has been designed primarily to fulfil the needs of professional and industrial users seeking to install power at off-grid sites. It provides a cost effective alternative to mains installation, reducing costly site visits and is the ideal 12/24v battery charger for low energy appliances.

The FM910-3 is one of a range of windchargers and is advised for use in all isolated, exposed sites. The Furlmatic can be installed alone or in combination with solar systems to provide a seasonal balance of power.

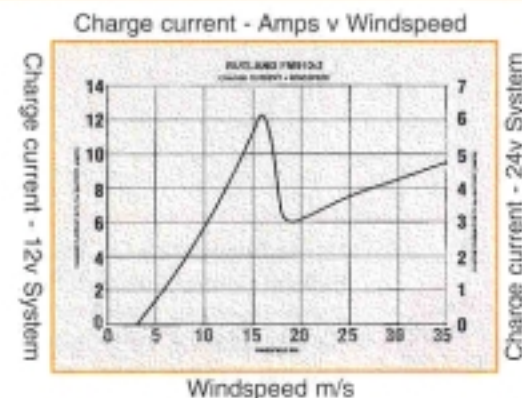


Technical Features

- Latest 3 Phase unique Rutland Generator - our low friction generator generates smooth, continuous power
- Flywheel effect generator maintains momentum between gusts, when other turbines stall the Rutland powers on
- Generator windings are completely sealed by GRP encapsulation
- No radiated interference, complies fully with BS EN 50081-1 1992
- Designed to be mounted on 61mm (2.4in) outside diameter tube
- Computer designed aerofoil blades able to withstand a loading with safety factor 10 x the turbine's maximum rpm
- Housing and tail constructed on pre-galvanised steel and epoxy coated to provide maximum weather protection
- Stainless steel fasteners throughout
- Automatic 'furling' tail fin directs the turbine out of the prevailing wind above 16m/s (35 mph) to protect the system in gales
- Automatic thermal winding protection



Furling Tail Design



Performance Curve

mph = m/s x 2.2

Balance of System

The FM 910-3 Windcharger is supplied in two cartons, the tail assembly and blades are fitted by the installer. The balance of system components are:-

- Voltage Controller to avoid overcharge to battery. We recommend either the RWS200 Charge Controller or SR200 Shunt Regulator
- Guyed mounting pole or freestanding hinge type tower of minimum 6m height - depending on site conditions
- Battery bank of deep cycle lead acid or nickel cadmium type batteries of minimum capacity 100AH @ 12v
- Electrical cable according to transmission distances
- Optional inverter according to power requirements



RWS200 Charge Controller.

Recommended to avoid battery overcharge.

FM910-3 FURLMATIC