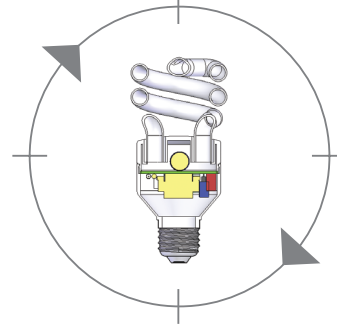


■ COMPACT LIGHT (CFL)

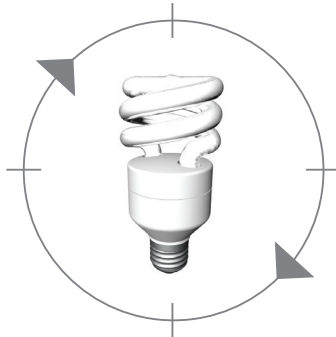
- Energy efficient tube - equivalent to a 50W incandescent bulb
- Conventional E27 fitting
- Over 100,000 on/off switchings
- UV stabilised housing

Internal View



|| See technical specifications overleaf >>>

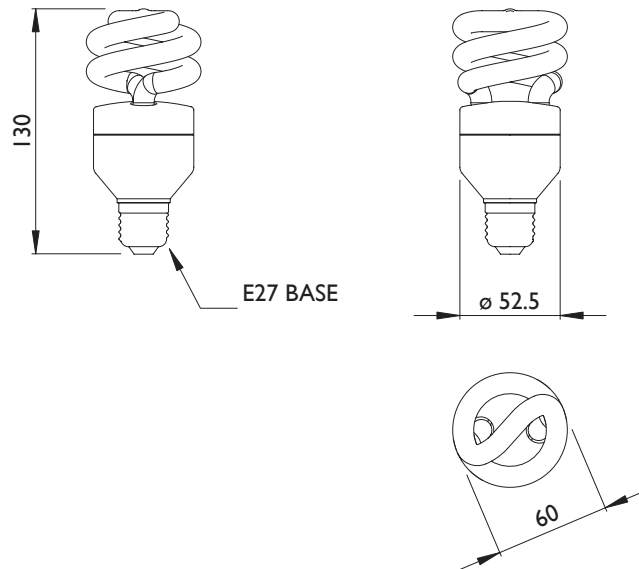
COMPACT LAMP (CFL)



The new Compact Lamp has been designed to give optimum lumens/watt ratio for excellent light output thereby giving the equivalent light output to a 50W incandescent bulb, but only using 9W of power, therefore saving up to 80% on energy consumption in comparison. It is manufactured with a conventional E27 fitting for easy installation and the housing has been UV stabilised to prevent any form of discolouration occurring.

Life expectancy has been increased to over 100,000 on/off switchings with the introduction of our 'XT' pre-heat circuit, which is fitted as standard, preventing any premature tube blackening or tube failure.

The CFL is another addition to the Labcraft lighting range which incorporates the same high quality of material and components used, robust method of manufacture and energy efficient high light output



SPECIFICATION

ALL DIMENSIONS HAVE A TOLERANCE OF +/- 1mm

COMPACT LAMP (CFL)

Model No		CFL9XT
Supply Voltage	Vdc	12
Voltage Range	Vdc	10 to 15
Average Current	A	0.75
Crest Factor		1.6
Frequency	KHz	35-45
Tube Watts	W	9W
Lumens	Lm	510
Weight	Kg	0.14
Temp' Range	°C	-10 to +40

E & OE